

RNAO60X78X40-ZW-ASR1-XL

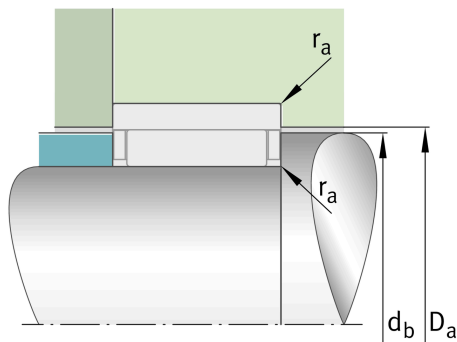
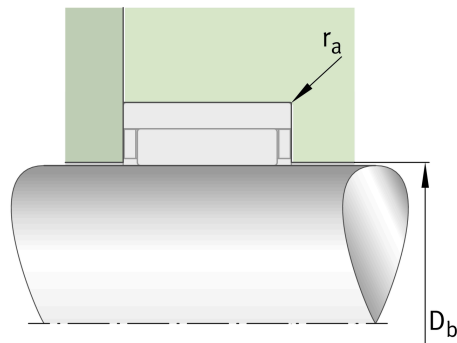
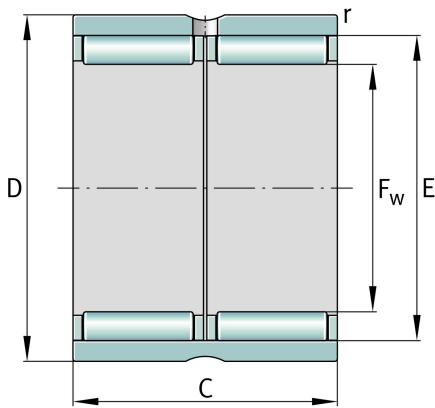
Needle roller bearing

Schaeffler ID:
0507761420000

Needle roller bearings RNAO...-ZW-ASR1,
without ribs, double row

X-life

Technical information



Main Dimensions & Performance Data

F_w	60 mm	Under roller diameter
D	78 mm	Outside diameter
C	40 mm	Width, outer ring
C_r	85,000 N	Basic dynamic load rating, radial
C_{0r}	171,000 N	Basic static load rating, radial
C_{ur}	28,000 N	Fatigue load limit, radial
n_G	7,700 1/min	Limiting speed
n_{gr}	4,650 1/min	Reference speed
	435 g	Weight

Dimensions

E	68 mm	Raceway diameter outer ring
r_{min}	1 mm	Minimum chamfer dimension

Mounting dimensions

D_b	60.8 mm	Shoulder diameter axial guidance NK/housing
d_b	67.2 mm	Shoulder diameter axial guidance NK/shaft
D_a	68.8 mm	Shoulder diameter outer ring
$r_{a max}$	1 mm	Maximum recess radius

Temperature range

T_{min}	-30 °C	Operating temperature min.
T_{max}	120 °C	Operating temperature max.